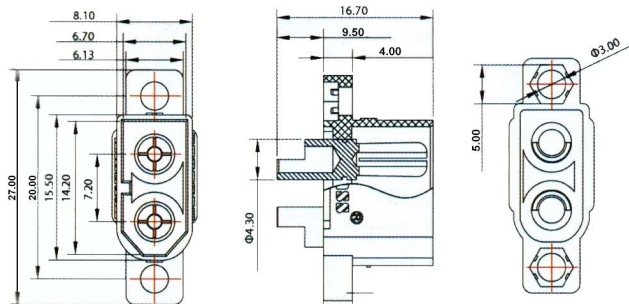


## AMASS

■ (Item No): XT60E-M



■ (Material & Parameter)

Item No.	XT60E-M	CR	0.55mΩ
COLOR	<b>3</b>		DC 500V
Metal Material	rass Gold Plated	RC	30A
Plastic Material	PA	MC	60A
FR LEVEL	UL94 V0	USE TIMES	1000 TIMES
Recommend USE	BATTERY	Cable SPEC.	12AWG
(12AWG) TEMPERATURE RISE	30A 27.8℃ (—) 60A    ℃ (—)	(14AWG) TEMPERATURE RISE	30A 85℃ (—) 60A 124.8℃ (—)
CERTIFICATION	CE/UL	Insertion Force	/
WELD METAL	/	TEMPERATURE	-20℃ to 120℃

★ (Data sheet will change according with the test background)

Changzhou AMASS Electronics Co., Ltd)

(Add): (QingYang Road, Lijia Town, Wujin Dis. Changzhou City, Jiangsu Pro.)

(Tel): 86-519-86731695 (Fax): 86-519-86735861