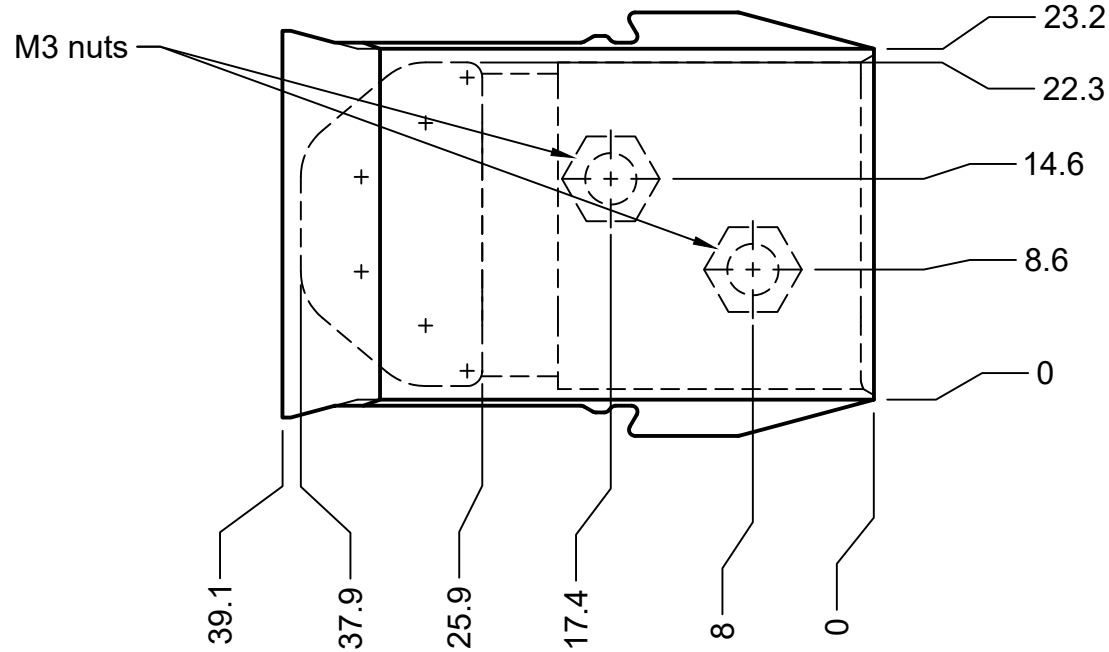
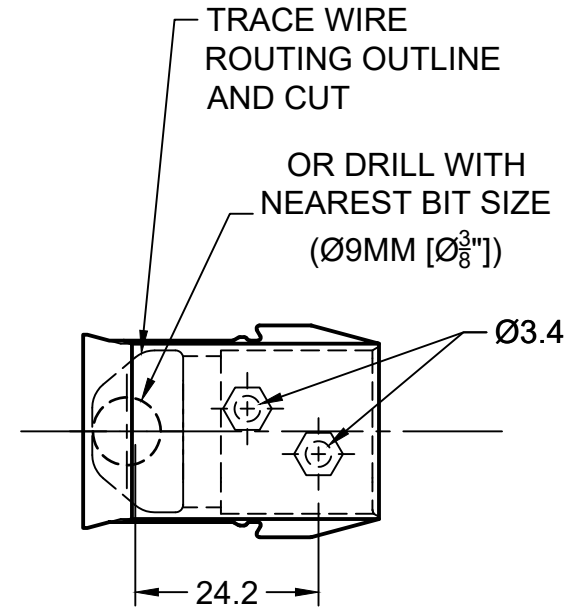


NOTE:

1. UNITS IN MM
2. DWG SHEET SIZE IS ANSI A FOR PRINTING AT 100% SCALE ON 8.5" x 11" LETTER PAPER



BOTTOM VIEW
2:1 SCALE



BOTTOM VIEW
1:1 SCALE
FOR TRACING/MARKING

		PROJECT		
		esk8		
		TITLE		
		Captured Loopkey v5 (Mount V5E)		
APPROVED	SIZE	CODE	DWG NO	REV
CHECKED	A			3
DRAWN	sleepless	9/2/2022	SCALE 1:1	WEIGHT
			SHEET 1/1	