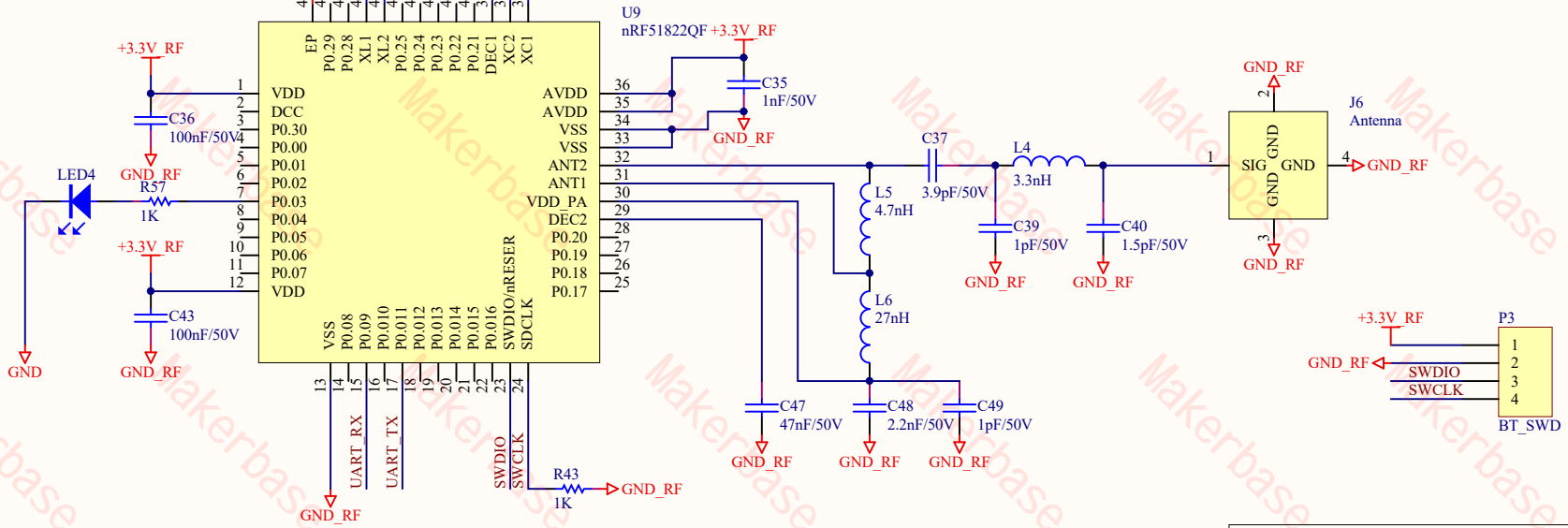
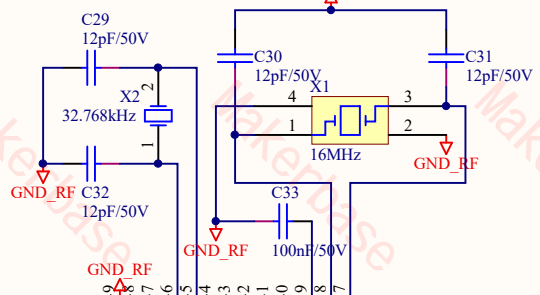
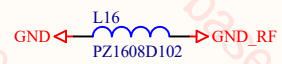
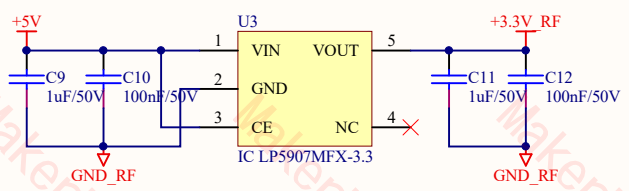
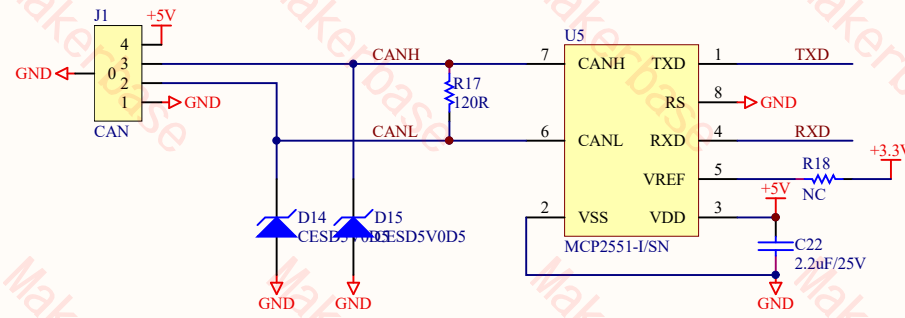


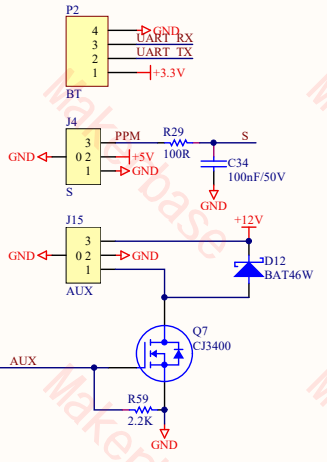
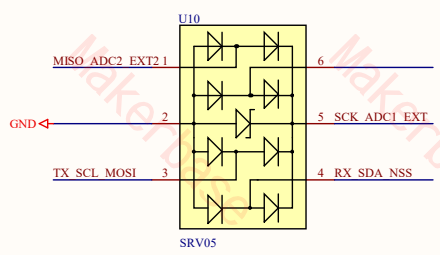
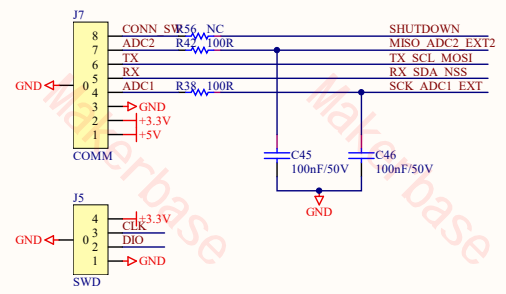
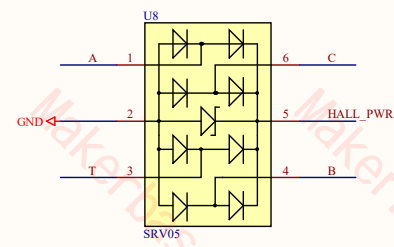
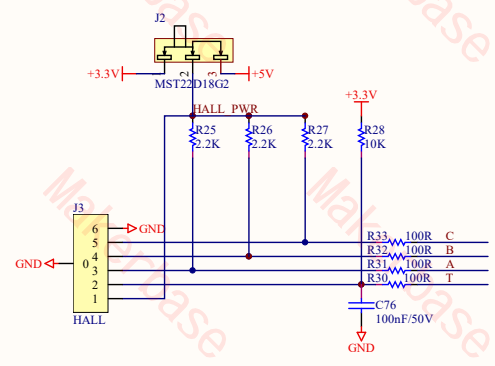
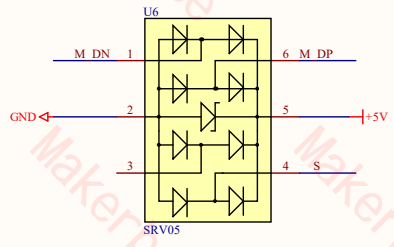
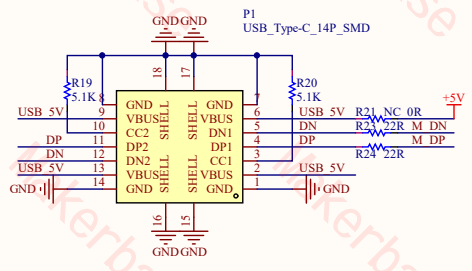
Title		
Size	Number	Revision
A4		
Date:	2024/4/3	Sheet of
File:	E:\PCB Project\BMI160.SchDoc	Drawn By:



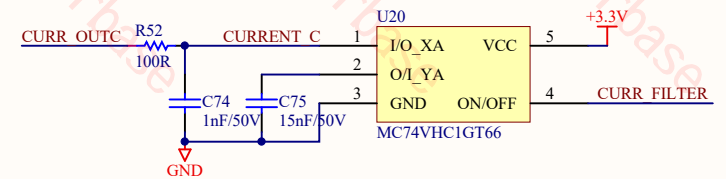
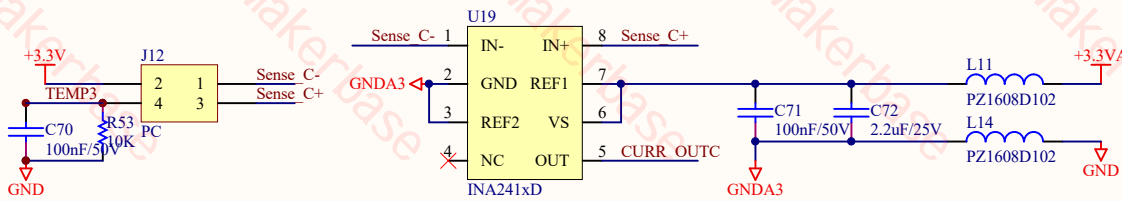
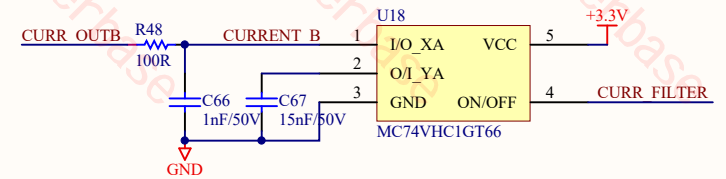
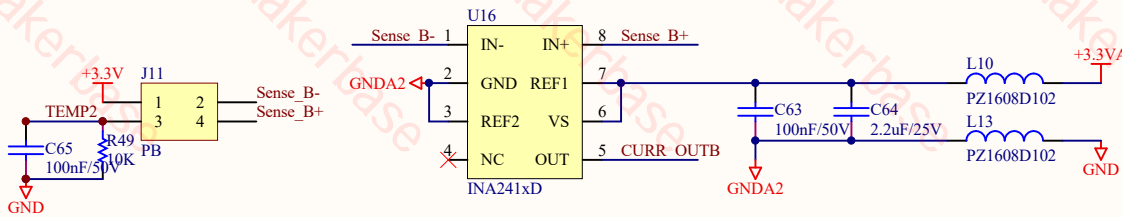
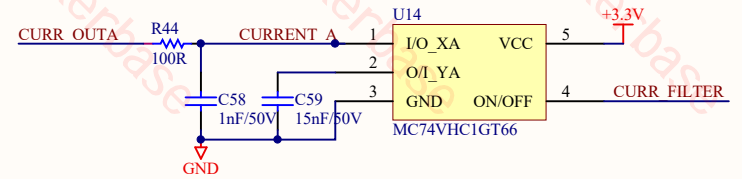
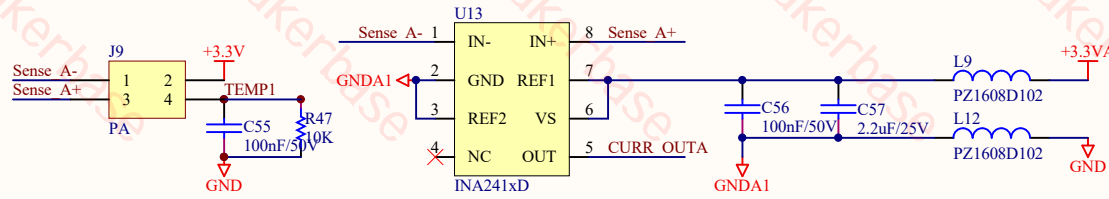
Title		
Size	Number	Revision
A4		
Date:	2024/4/3	Sheet of
File:	E:\PCB Project\BT.SchDoc	Drawn By:



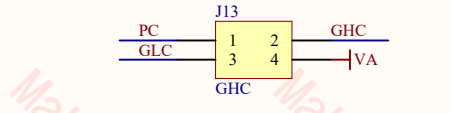
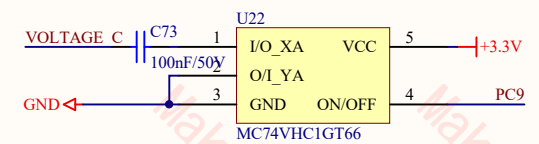
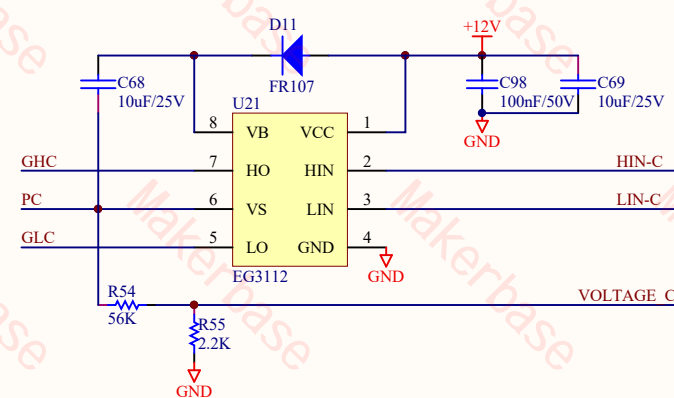
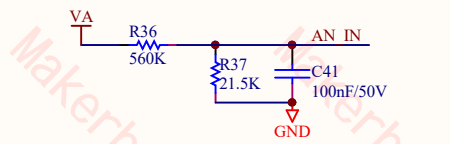
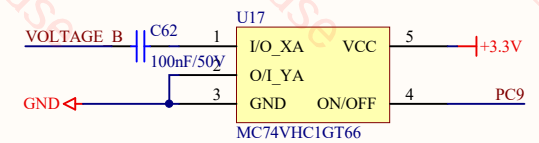
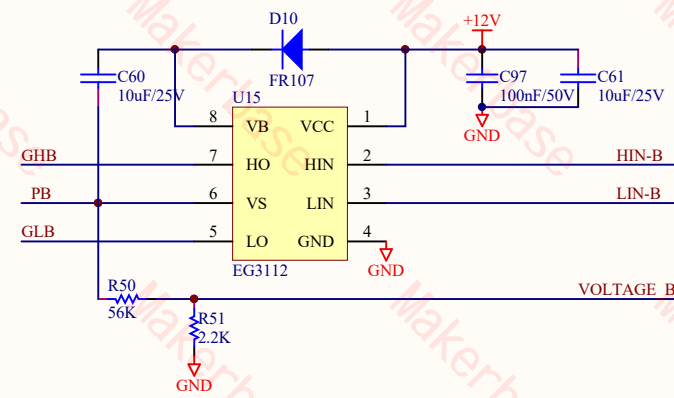
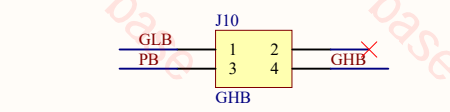
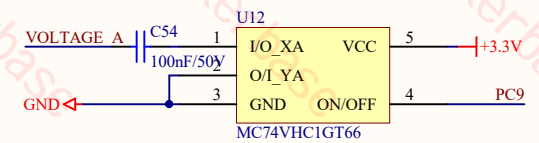
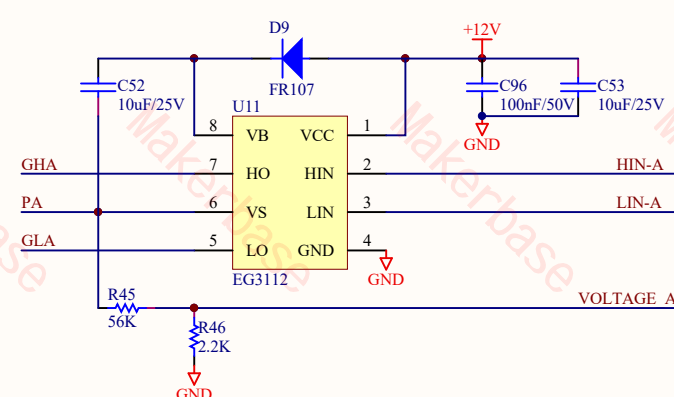
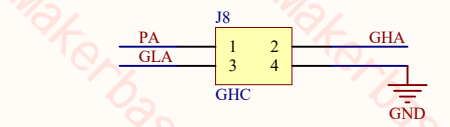
Title		
Size	Number	Revision
A4		
Date:	2024/4/3	Sheet of
File:	E:\PCB Project\CAN.SchDoc	Drawn By:



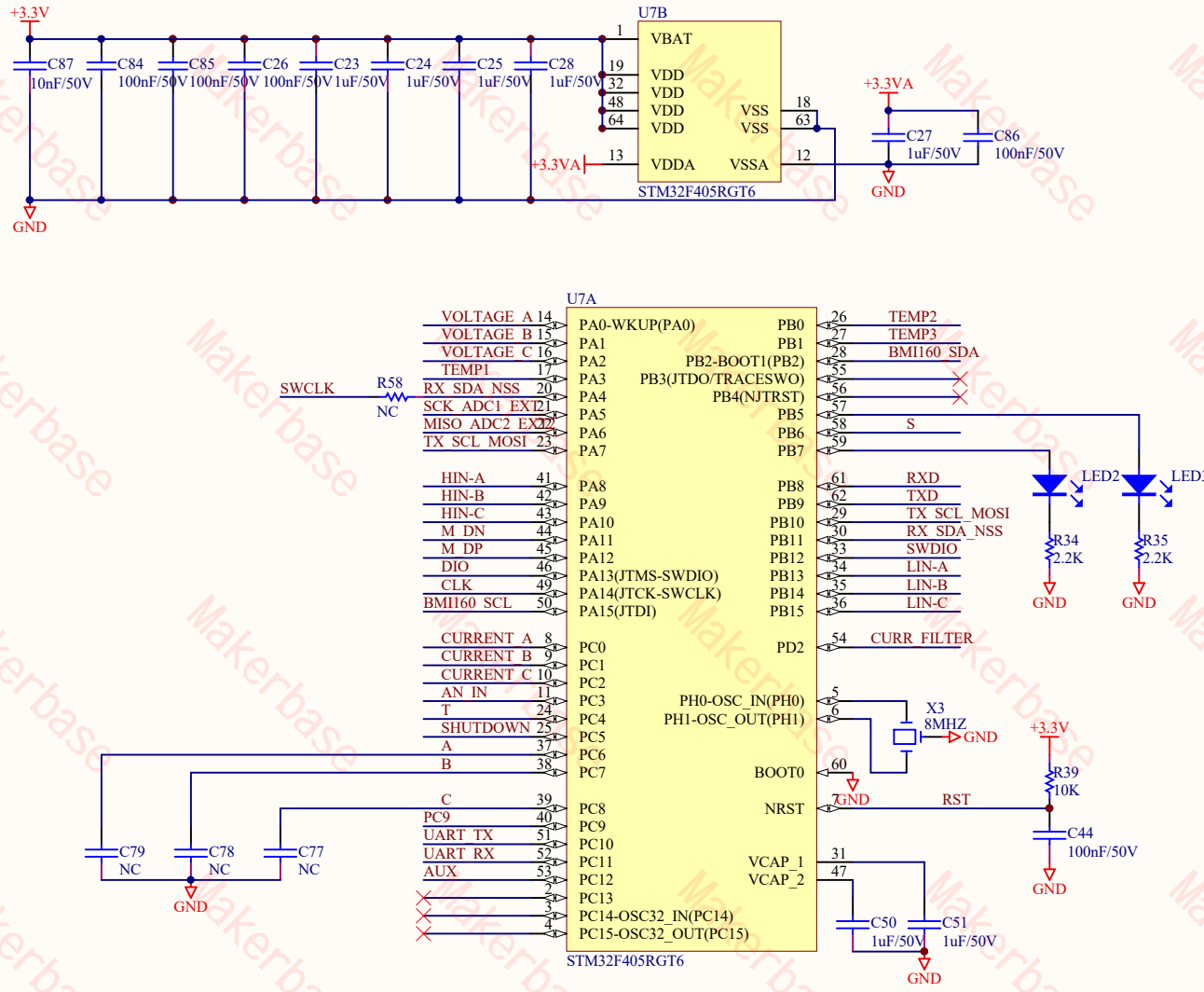
Title		
Size A3	Number	Revision
Date: 2024/4/3	Sheet of	
File: E:\PCB Project\...\Connet.SchDoc	Drawn By:	



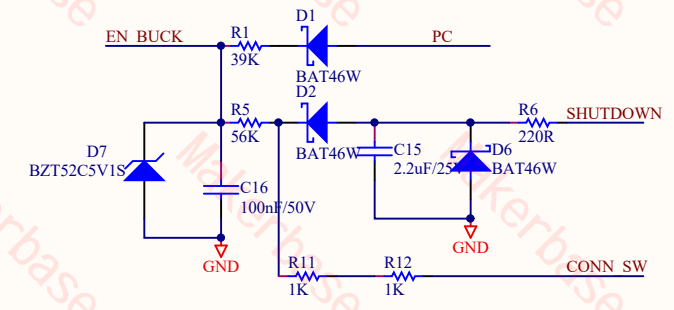
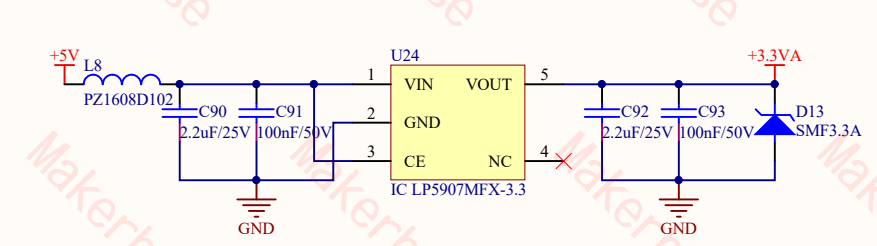
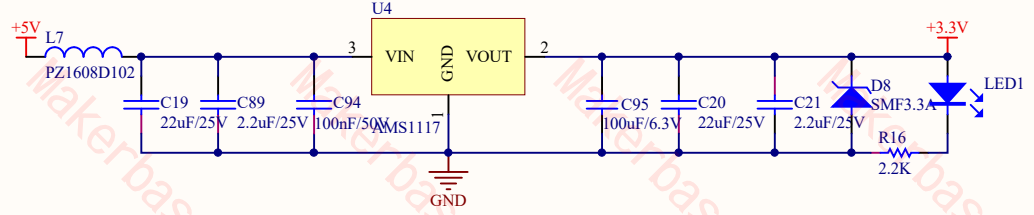
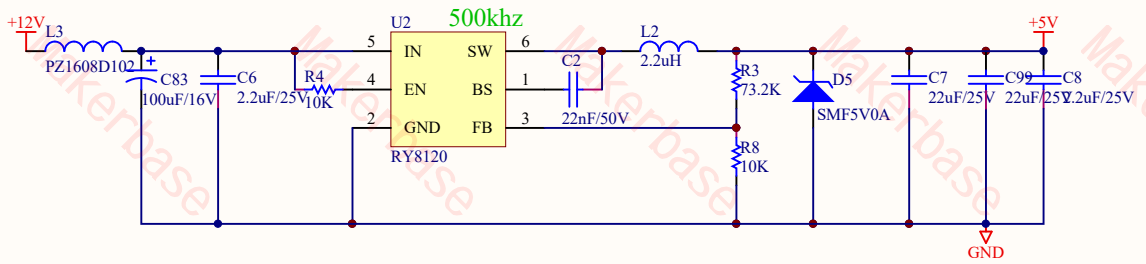
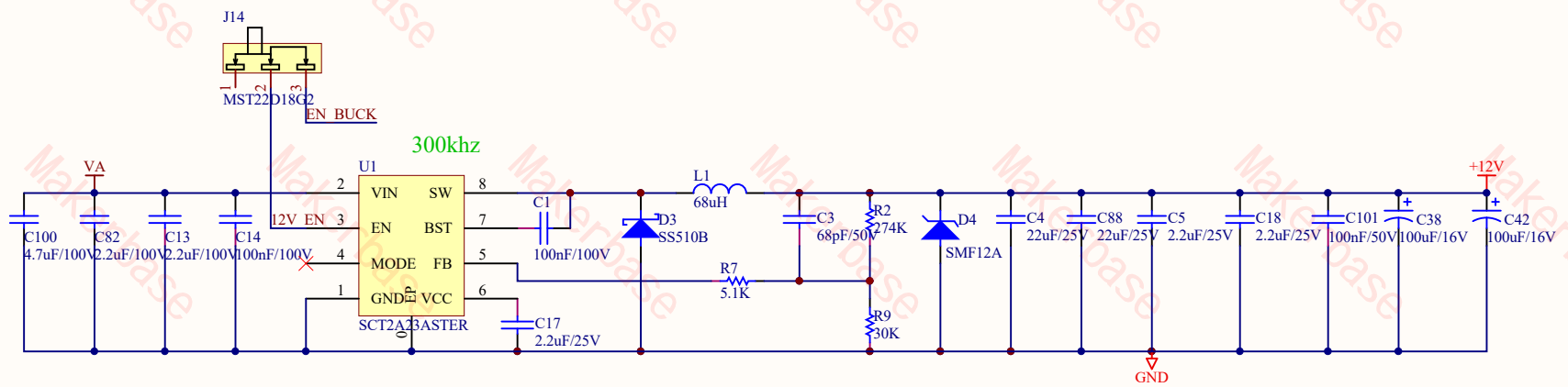
Title		
Size	Number	Revision
A4		
Date:	2024/4/3	Sheet of
File:	E:\PCB Project\Current.Sch.Doc	Drawn By:



Title		
Size	Number	Revision
A4		
Date:	2024/4/3	Sheet of
File:	E:\PCB Project\Driver.SchDoc	Drawn By:

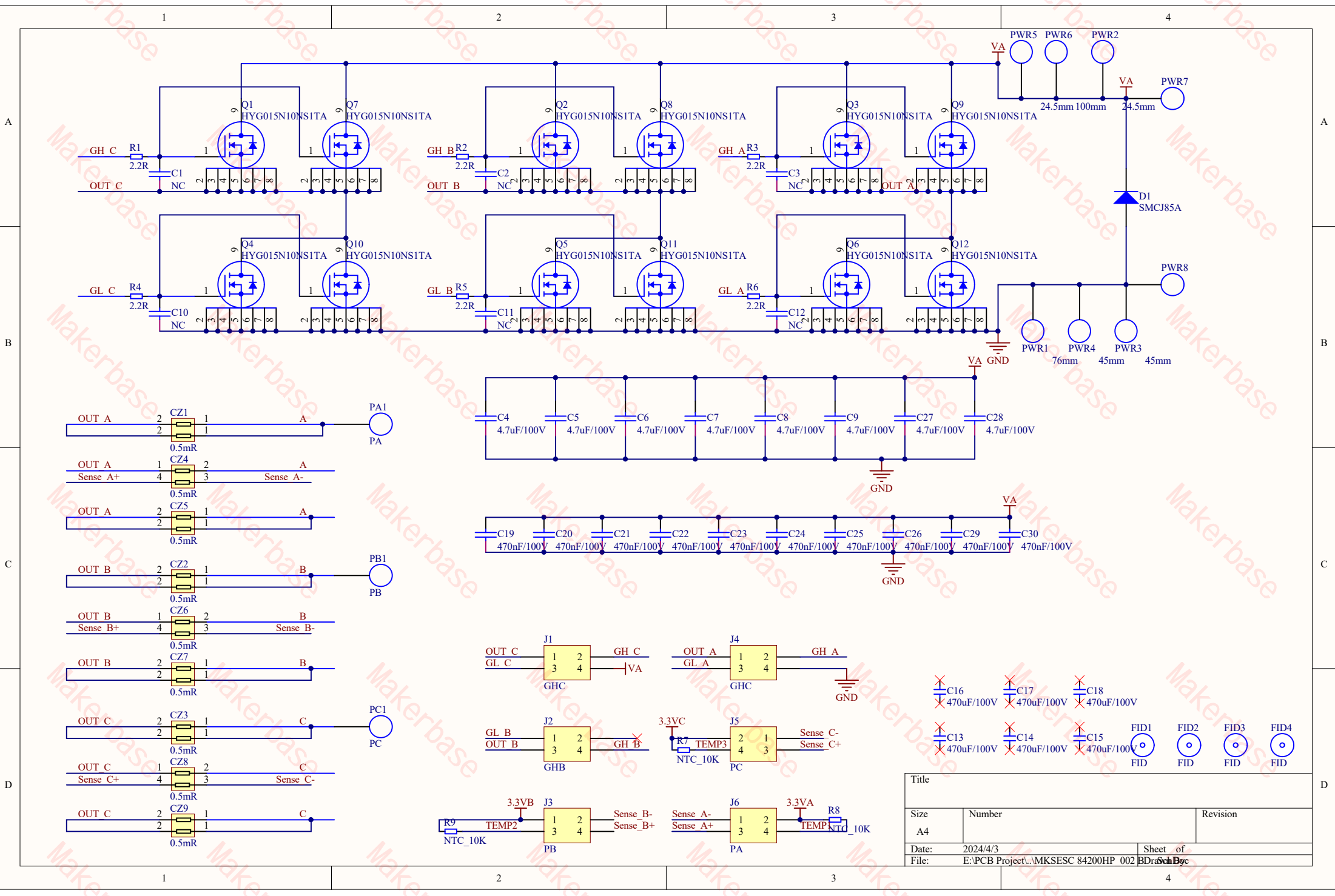


Title		
Size	Number	Revision
A4		
Date:	2024/4/3	Sheet of
File:	E:\PCB Project\AMKSESC 84200HP 002 ADR.SchDoc	



Title		
Size	Number	Revision
A4		
Date:	2024/4/3	Sheet of
File:	E:\PCB Project...\Power.SchDoc	Drawn By:





Title		
Size	Number	Revision
A4		
Date:	2024/4/3	Sheet of
File:	E:\PCB Project\...MKSESC 84200HP 002 BDRsch Bpc	