

**Cell holders (honeycomb shape)** can be combined in a variety of shapes to align to available space. Fits li-ion 18650 batteries. The cells are placed on a multiple triangle shape – allows to utilize available space more efficiently. Distance between cells 19.4 mm.

Material: ABS, injection molded, produced in EU (Poland), patent pending.

**Available options:** cell holders x1, x2, x3, x6, x2 terminated, side cover, BMS wire holder diameter 1,5, wire holder diameter 3, clip.

We offer tapes and connectors for welding. Material: pure nickel, thickness: connectors 2P, 3P, 4P, 5P, 6P, 7p – 0,2mm, connectors 8P – 0,15mm; tapes T2P, T3P, T4P, T5P, T6P, T7P, T8P – 0,15mm.



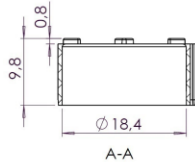
**Main features:**

- triangle/honeycomb shape – allows to utilize available space more efficiently than square shape holders,
- multiple shapes,
- all sides can be connected (6 sides),
- precise and tight connection,
- in x3 and x6 cell holders we implement slot, which helps connecting top and bottom holder,
- possibility of connecting holders by tape in 3 positions

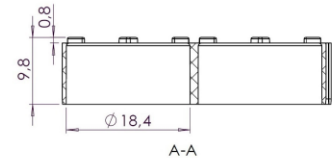


## PARAMETERS

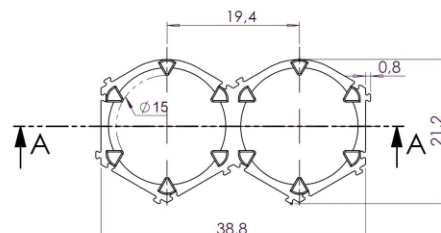
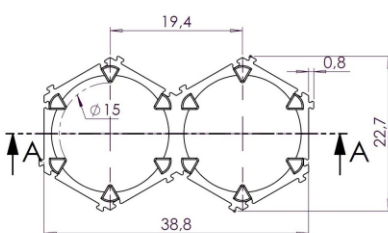
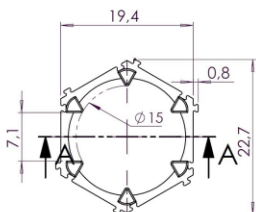
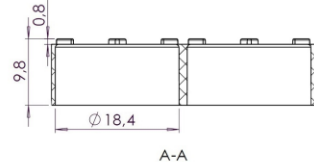
Cell holders x1



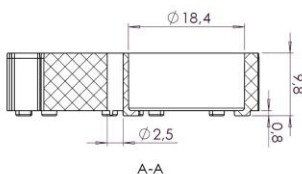
Cell holders x2



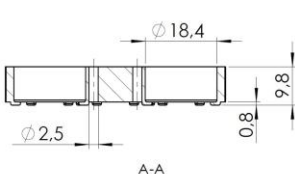
Cell holders x2 terminated



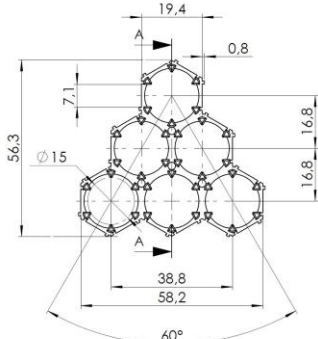
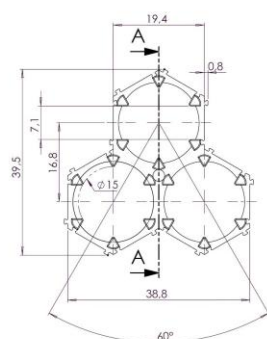
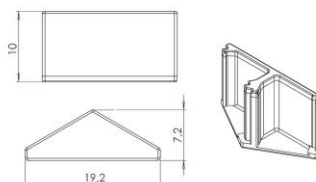
Cell holders x3



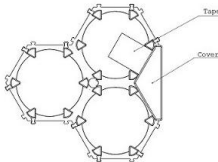
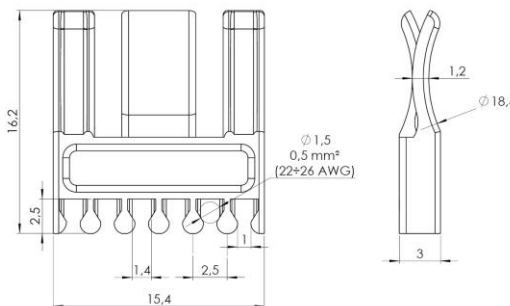
Cell holders x6



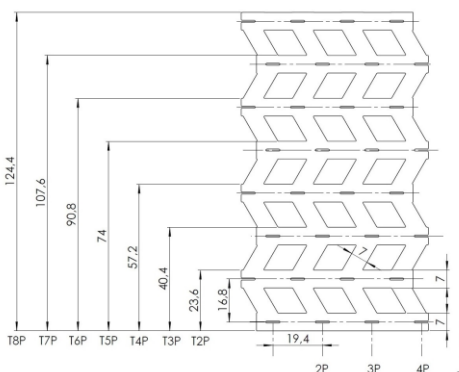
Side cover



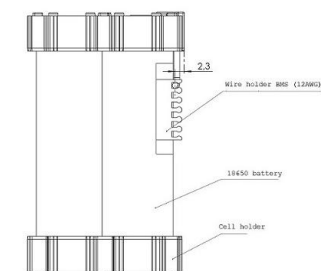
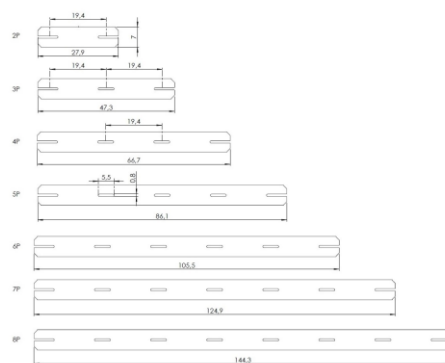
BMS wire holder  $\varnothing 1,5$



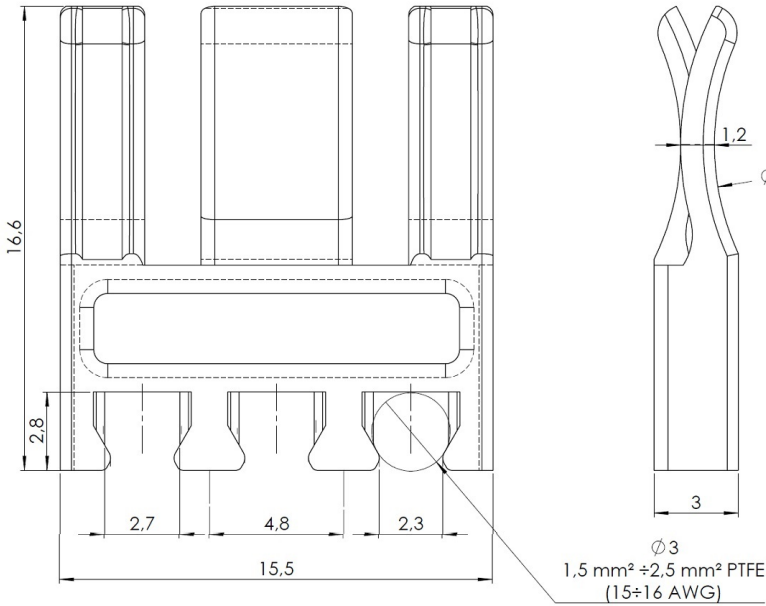
Nickel tapes



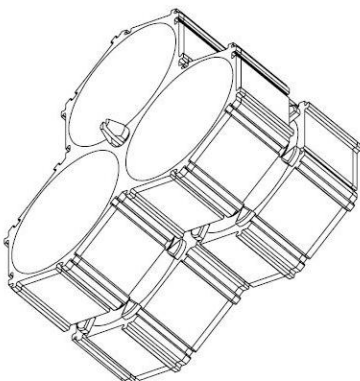
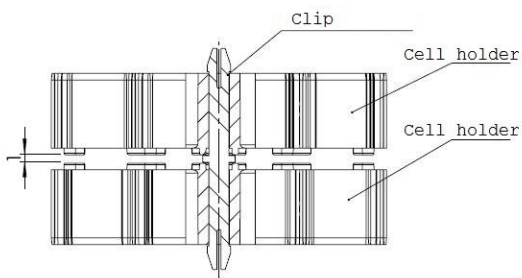
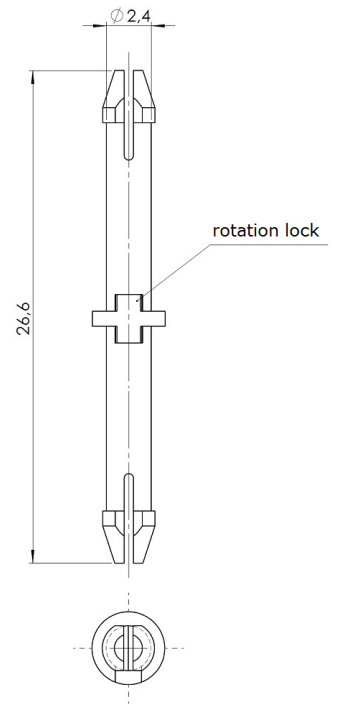
Connectors



Wire holder Ø3



Clip



**PRICE LIST - net prices, without VAT (tax).**

<b>Cell holders</b>		<b>Net price EUR/piece</b>
1.	Cell holder x1	0,06 EUR
2.	Cell holder x2	0,09 EUR
3.	Cell holder x2 terminated	0,09 EUR
4.	Cell holder x3	0,10 EUR
5.	Cell holder x6	0,18 EUR
6.	BMS wire holder 1,5	0,09 EUR
7.	Wire holder diameter 3	0,09 EUR
8.	Clip	0,09 EUR
9.	Side cover	0,06 EUR
<b>Tapes</b>		<b>Net price EUR/meter</b>
1.	Tape T2P (0,15mm)	3,10 EUR
2.	Tape T3P (0,15mm)	4,40 EUR
3.	Tape T4P (0,15mm)	5,65 EUR
4.	Tape T5P (0,15mm)	8,25 EUR
5.	Tape T6P (0,15mm)	9,35 EUR
6.	Tape T7P (0,15mm)	11,85 EUR
7.	Tape T8P (0,15mm)	12,95 EUR
<b>Connectors</b>		<b>Net price EUR/piece</b>
1.	Connectors 2P (0,15mm)	0,05 EUR
2.	Connectors 3P (0,2mm)	0,09 EUR
3.	Connectors 4P (0,2mm)	0,12 EUR
4.	Connectors 5P (0,2mm)	0,14 EUR
5.	Connectors 6P (0,2mm)	0,18 EUR
6.	Connectors 7P (0,2mm)	0,21 EUR
7.	Connectors 8P (0,15mm)	0,24 EUR
<b>Tapes (nickel 84HV) – min. 1KG</b>		<b>Net price EUR/1kg</b>
1.	Tape 7x0,1mm	68,00 EUR
2.	Tape 7x0,15mm	68,00 EUR
3.	Tape 7x0,2mm	68,00 EUR
4.	Tape 6x0,2mm	68,00 EUR

5.	Tape 8,4x0,2mm	68,00 EUR
6.	Tape 8x0,15 mm	68,00 EUR
7.	Tape 8x0,2 mm	68,00 EUR
<b>HIGO connectors</b>		<b>Net price EUR/piece</b>
1.	HIGO connector 2pin female 1m	3,45 EUR
2.	HIGO connector 2pin male 1m	3,45 EUR
3.	HIGO connector 3pin female 1m	3,80 EUR
4.	HIGO connector 3pin male 1m	3,80 EUR
5.	HIGO connector 4pin female 1m	4,00 EUR
6.	HIGO connector 4pin male 1m	4,00 EUR
7.	HIGO connector 5pin female 1m	4,50 EUR
8.	HIGO connector 5pin male 1m	4,50 EUR
9.	HIGO connector 6pin female 1m	4,60 EUR
10.	HIGO connector 6pin male 1m	4,60 EUR
11.	HIGO connector 8pin female 1m	6,70 EUR
12.	HIGO connector 8pin male 1m	6,70 EUR
13.	HIGO connector 3pin male 0,8m	3,70 EUR
<b>Other products</b>		<b>Net price EUR/piece</b>
1.	Battery insulation gasket 18650 (0,2 mm)	3,55 EUR
2.	Thumb throttle	12,20 EUR
3.	Trigger throttle	12,20 EUR
4.	Charging cable 6A	8,45 EUR
5.	Charging port 6A	2,60 EUR
6.	E-bike battery case 70 cells 10S-36V (526x88x104 mm)	61,00 EUR
7.	E-bike battery case 70 cells 13S-48V (368x95x113 mm)	38,00 EUR
8.	E-bike battery case 91 cells 13S-48V	45,00 EUR
9.	E-bike battery case 52 cells 13S-48V	59,00 EUR
10.	Charge 48V-3A	22,00 EUR
11.	BMS 13S-30A	19,00 EUR