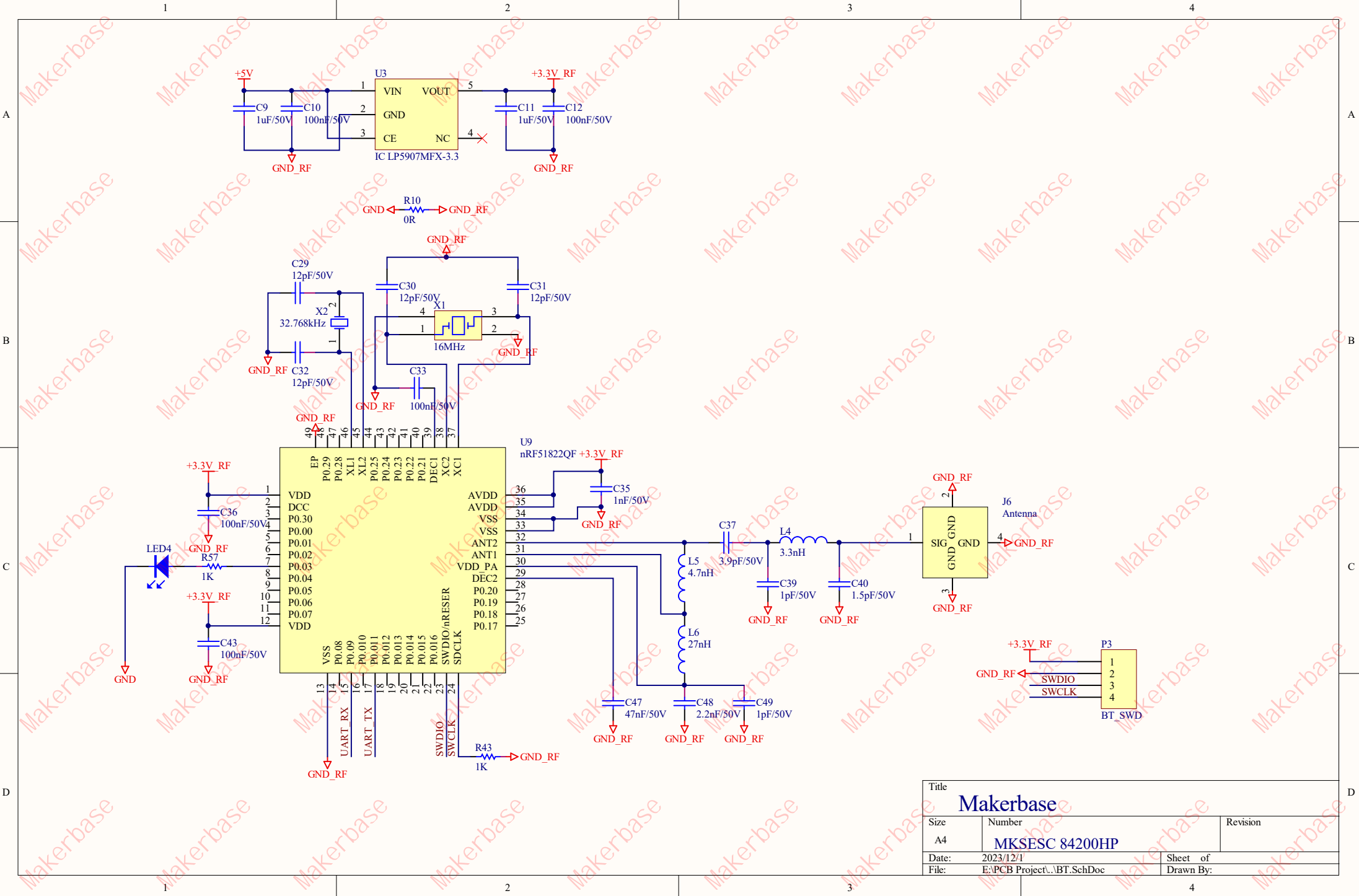
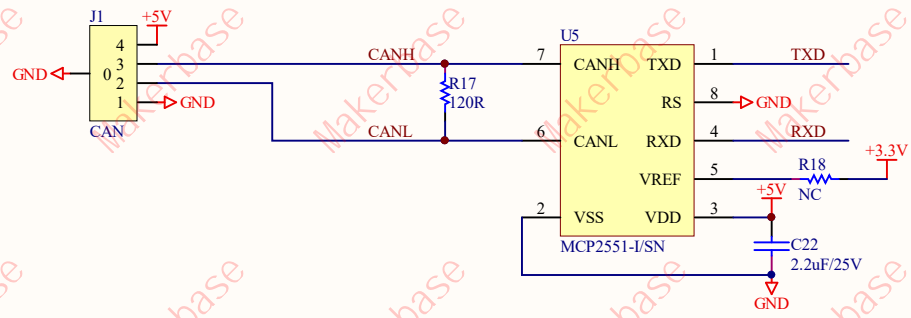


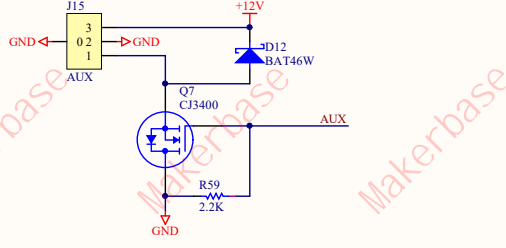
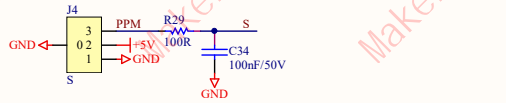
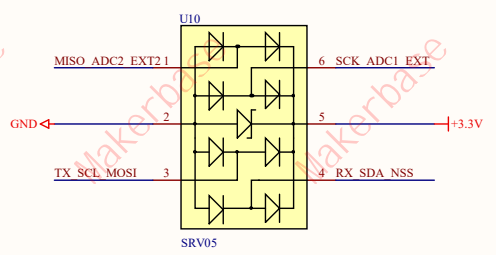
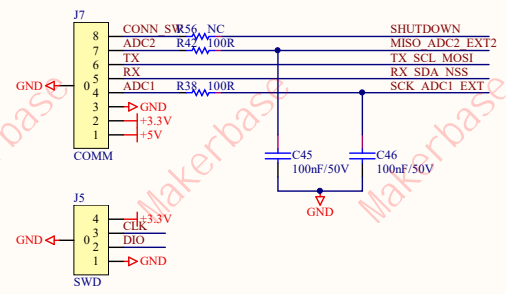
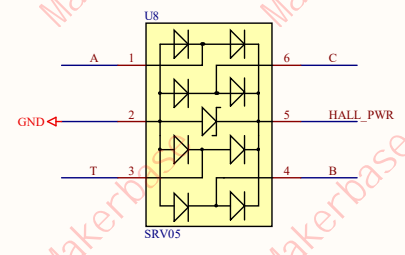
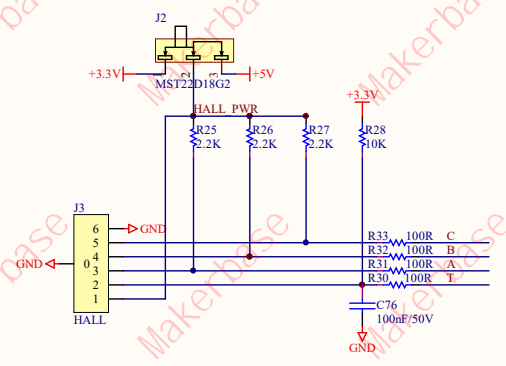
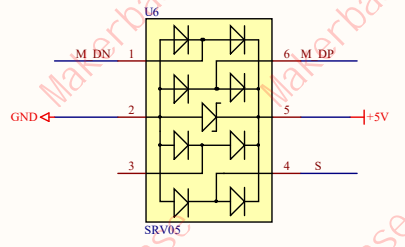
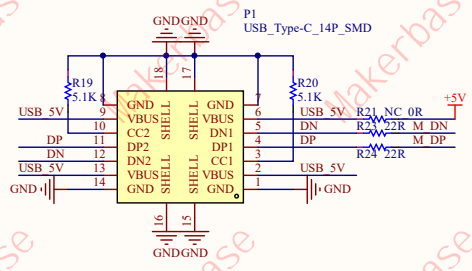
Title		
Makerbase		
Size	Number	Revision
A4	MKSESC 84200HP	
Date:	2023/12/1	Sheet of
File:	E:\PCB Project\BMI160.SchDoc	Drawn By:



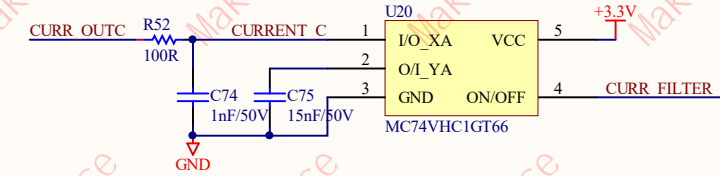
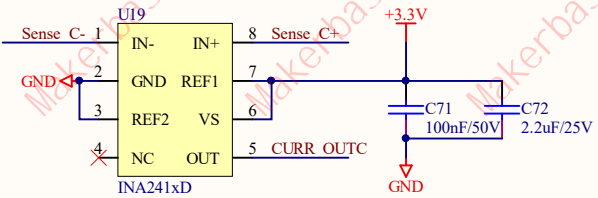
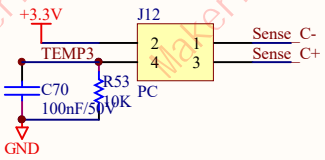
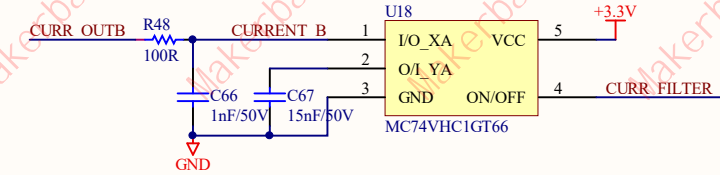
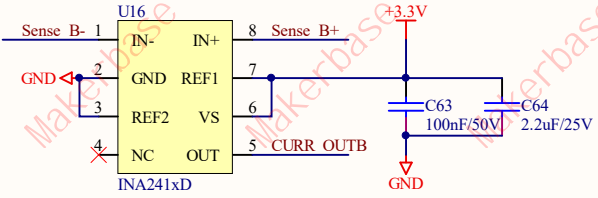
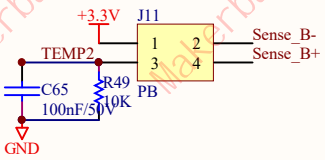
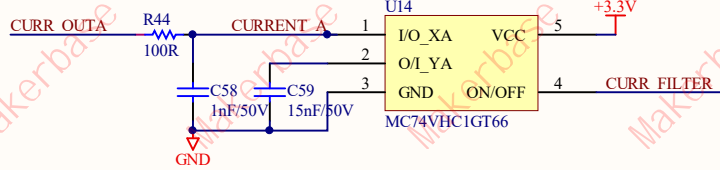
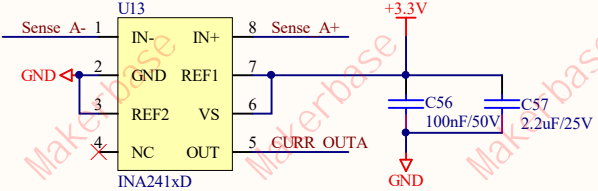
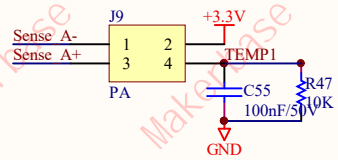
Title		
Makerbase		
Size	Number	Revision
A4	MKSESC 84200HP	
Date:	2023/12/1	Sheet of
File:	E:\PCB Project\..BT.SchDoc	Drawn By:



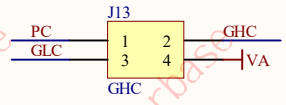
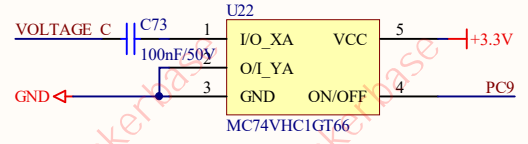
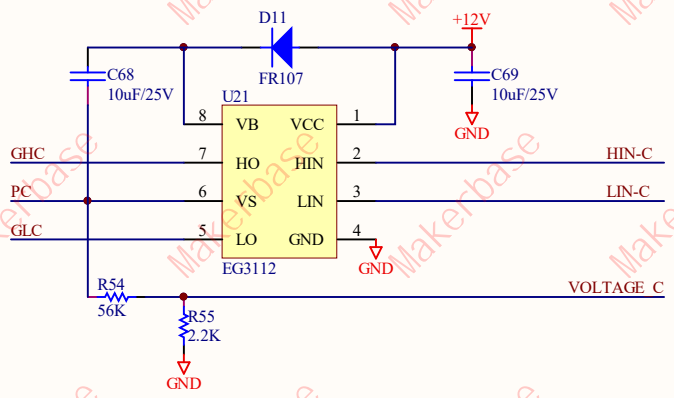
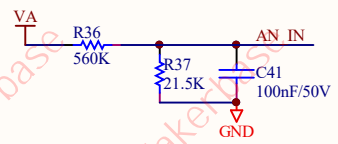
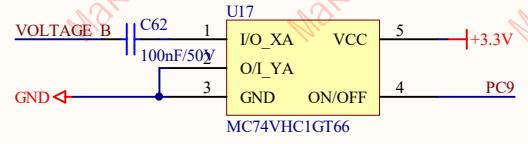
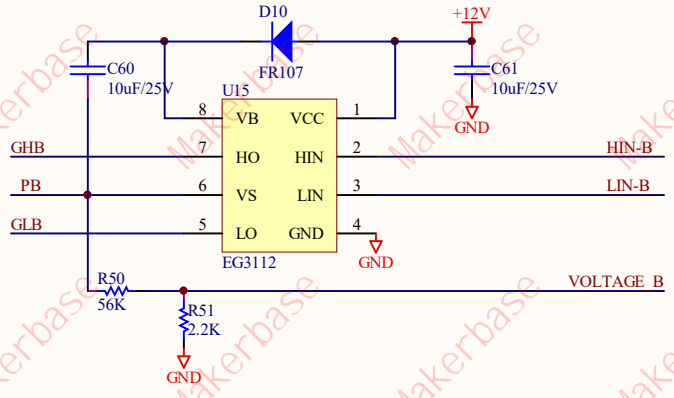
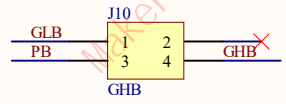
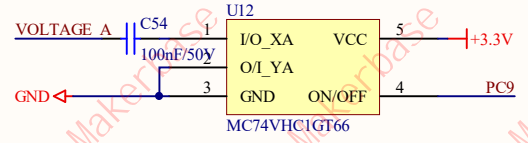
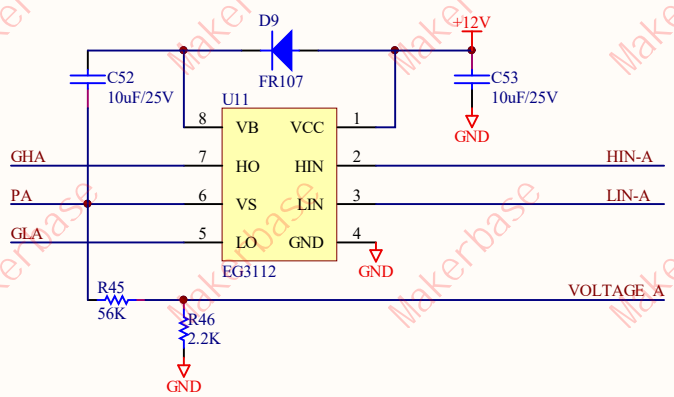
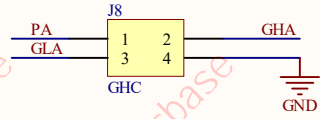
Title		
Makerbase		
Size	Number	Revision
A4	MKSESC 84200HP	
Date:	2023/12/1	Sheet of
File:	E:\PCB Project\CAN.SchDoc	Drawn By:



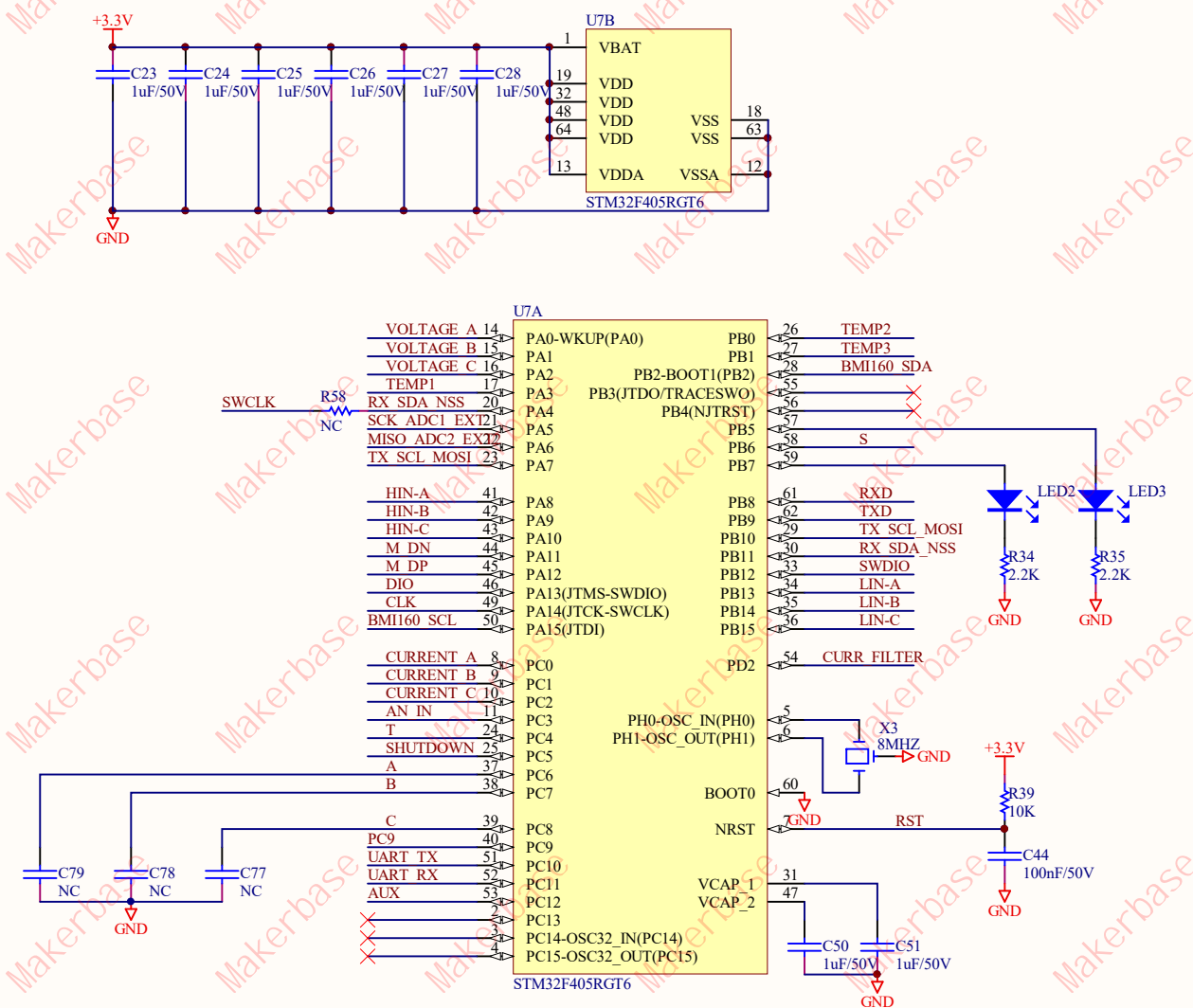
Title		
Makerbase		
Size	Number	Revision
A3	MKSESC 84200HP	
Date:	2023/12/1	Sheet of
File:	E:\PCB Project\Connet.SchDoc	Drawn By:



Title		
Makerbase		
Size	Number	Revision
A4	MKSESC 84200HP	
Date:	2023/12/1	Sheet of
File:	E:\PCB Project\Current.SchDoc	Drawn By:



Title		
Makerbase		
Size	Number	Revision
A4	MKSESC 84200HP	
Date:	2023/12/1	Sheet of
File:	E:\PCB Project\.\Driver.SchDoc	Drawn By:



Title		
Makerbase		
Size	Number	Revision
A4	MKSESC 84200HP	
Date:	2023/12/1	Sheet of
File:	E:\PCB Project\MCU.SchDoc	Drawn By:

1

2

3

4

A

A

B

B

C

C

D

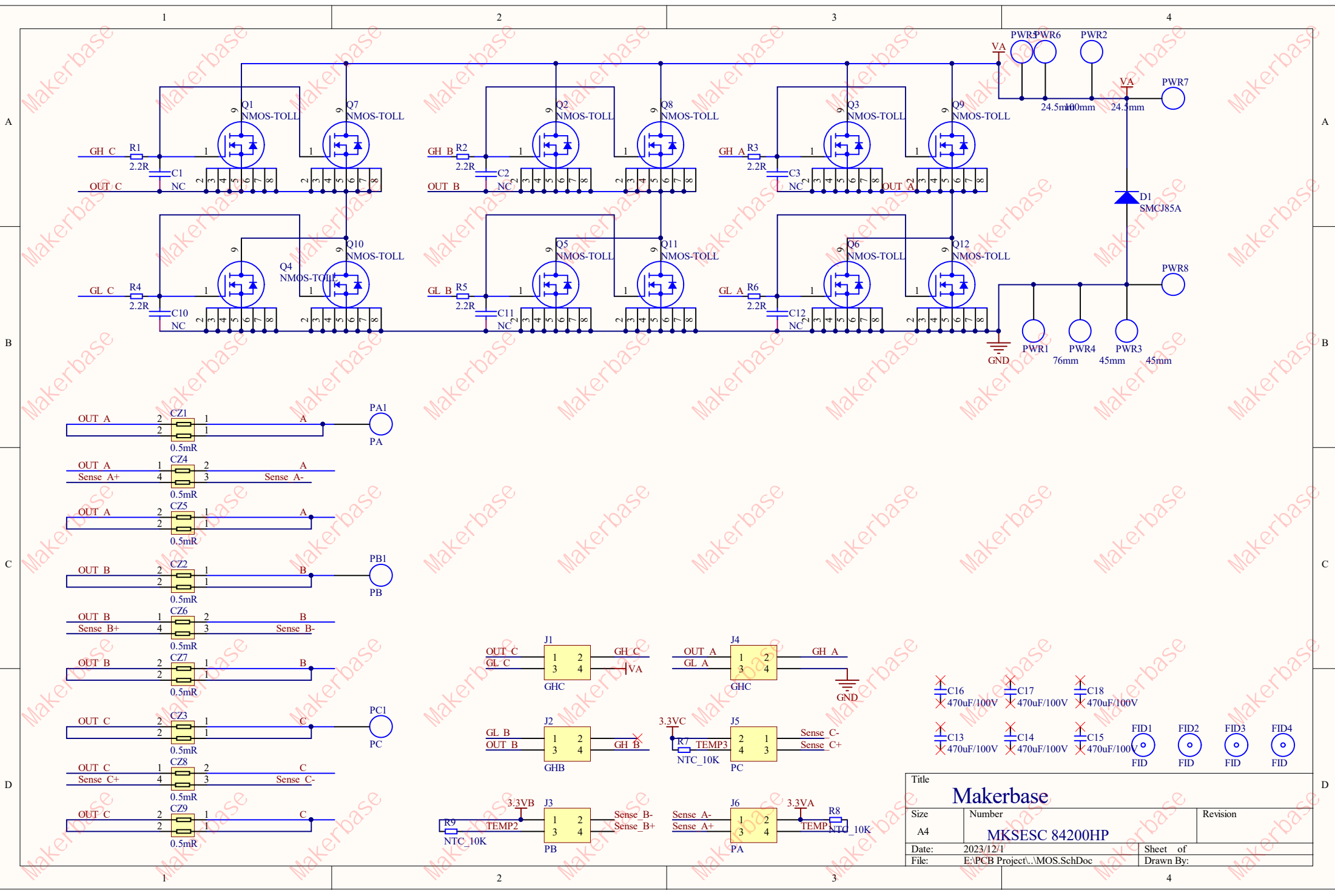
D

1

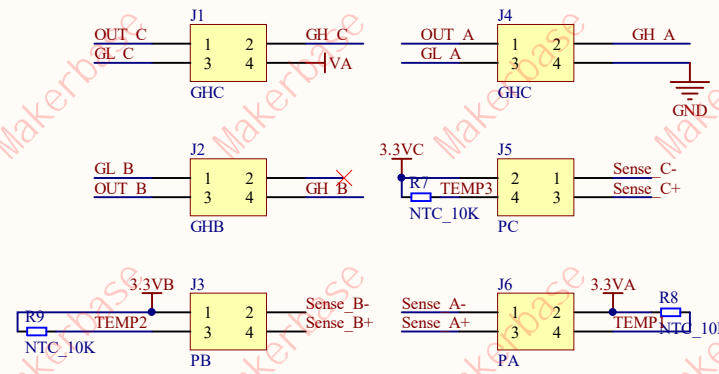
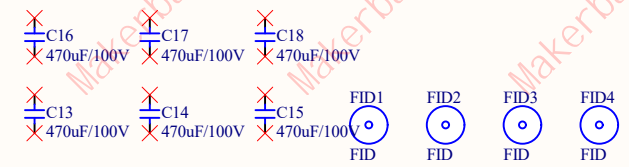
2

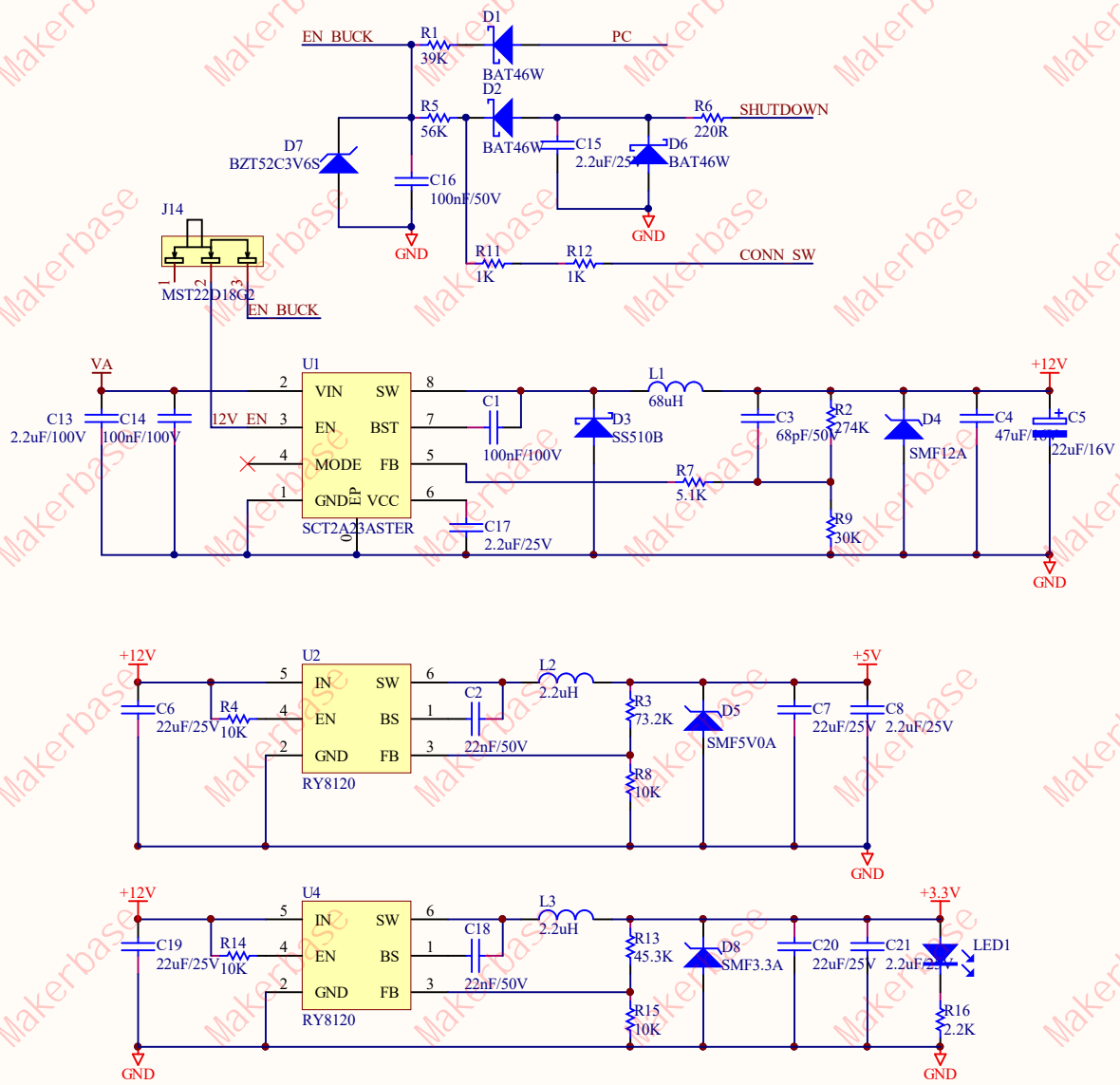
3

4



Title		
Makerbase		
Size	Number	Revision
A4	MKSESC 84200HP	
Date:	2023/12/1	Sheet of
File:	E:\PCB Project\..MOS.SchDoc	Drawn By:





Title		
Makerbase		
Size	Number	Revision
A4	MKSESC 84200HP	
Date:	2023/12/1	Sheet of
File:	E:\PCB Project\Power.SchDoc	Drawn By: