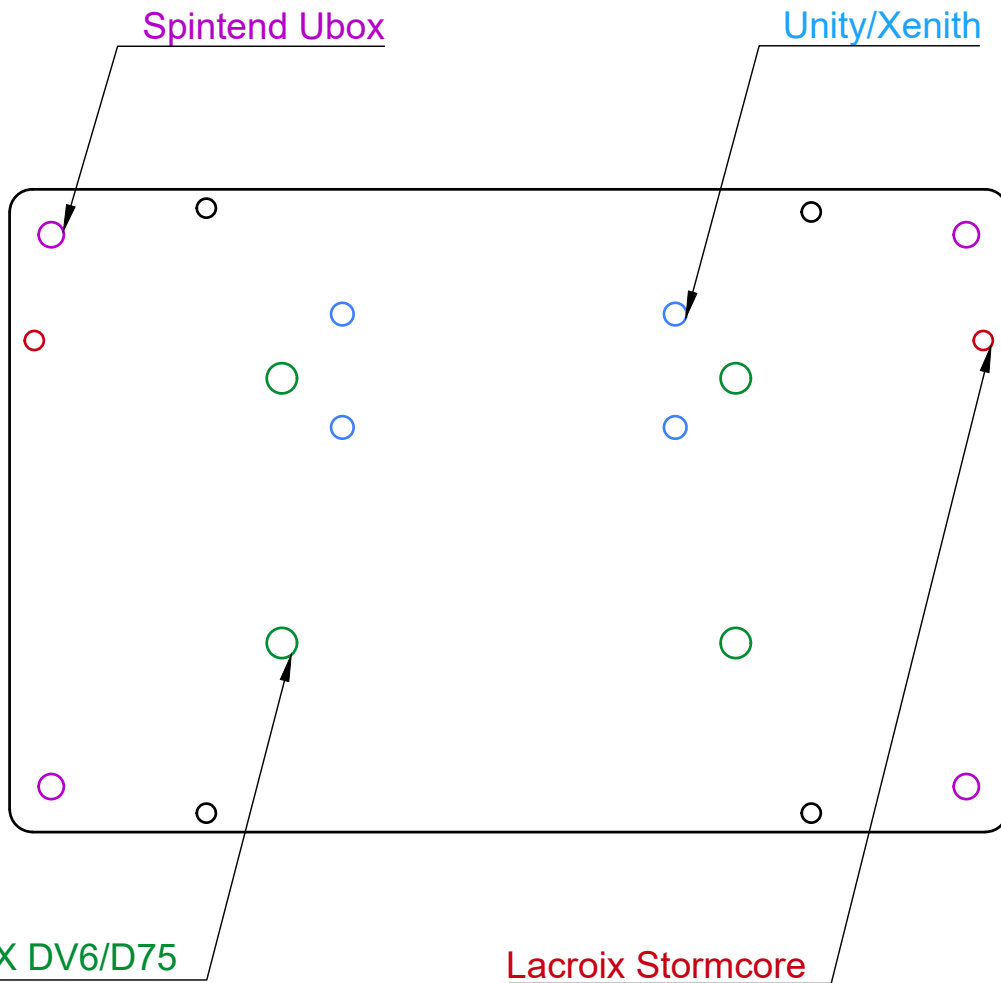
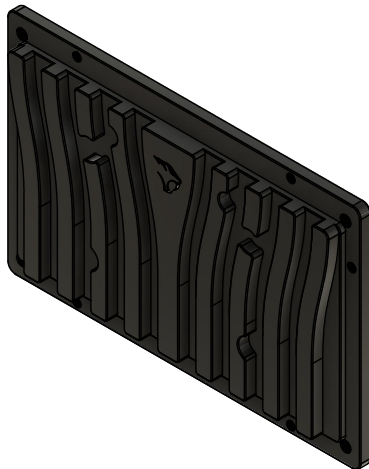
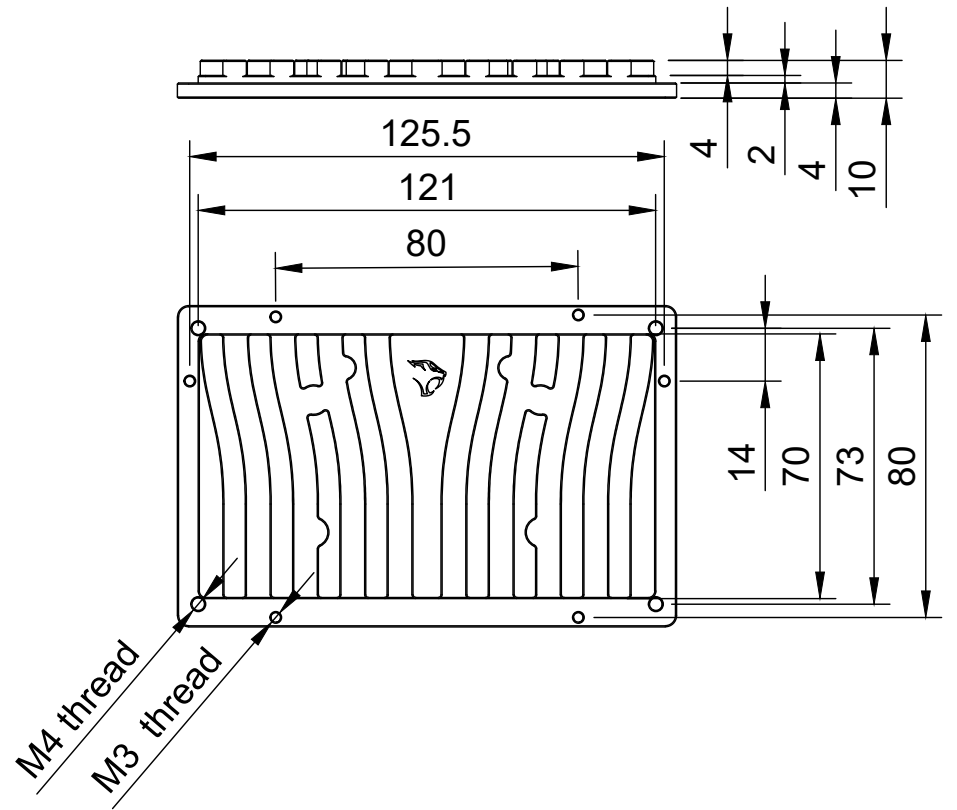
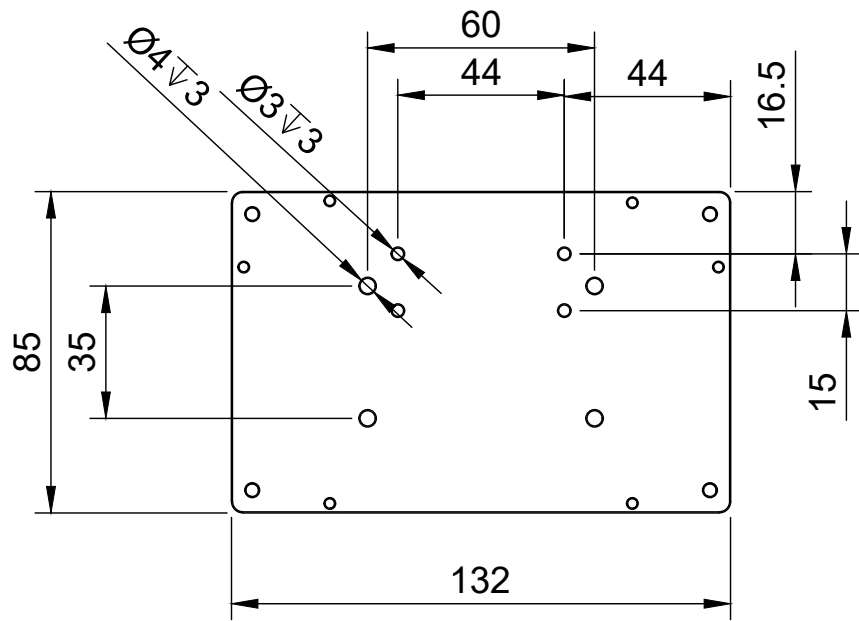


Dept.	Technical reference	Created by Sabre Dynamics 7-3-2023	Approved by		
		Document type	Document status		
		Title Heatsink Cutout	DWG No.		
		Rev.	Date of issue 7-3-2023	Sheet 1/1	



Dept.	Technical reference	Created by Sabre Dynamics 7-3-2023	Approved by	
		Document type	Document status	
		Title Heatsink Esc Guide	DWG No.	
		Rev.	Date of issue 7-3-2023	Sheet 1/1



Dept.	Technical reference Dimensions in mm	Created by Sabre Dynamics 8-2-2023	Approved by Brian	
		Document type SCALE 1:2	Document status	
		Title UNISINK V1.0	DWG No.	
		Rev.	Date of issue 8-2-2023	Sheet 1/1